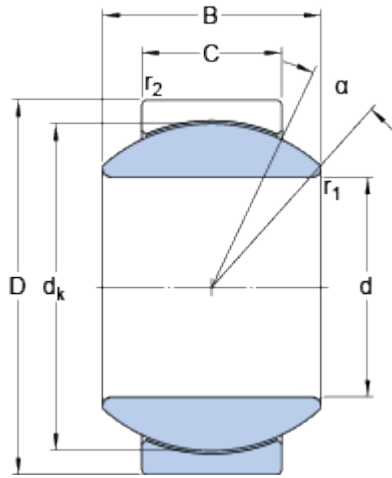


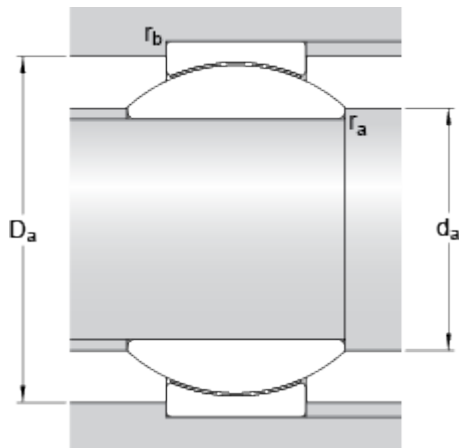
GEH 17 C

Dimensions



d		17	mm
D		35	mm
B		20	mm
C		12	mm
α		19	°
d_k		29	mm
r_1	min.	0.3	mm
r_2	min.	0.3	mm

Abutment dimensions



d_a	min.	18.9	mm
d_a	max.	21	mm
D_a	min.	27.6	mm
D_a	max.	33.4	mm
r_a	max.	0.3	mm
r_b	max.	0.3	mm

Calculation data

Basic dynamic load rating	C	31.5	kN
Basic static load rating	C_0	78	kN
Specific dynamic load factor	K	100	N/mm ²
Specific static load factor	K_0	250	N/mm ²
Material constant	K_M	1400	

Mass

Mass plain bearing	0.09	kg
--------------------	------	----